

# KIT/301-04B-P4/4\*2122LR3-PF40M-D



## Key Features

### NVR301-04B-P4

- Support Ultra 265/H.265/H.264 video formats
- 4-channel input
- Plug & Play with 4 independent PoE network interfaces
- Third-party IP cameras supported with ONVIF conformance: Profile S, Profile G, Profile T
- Support 1-ch HDMI, 1-ch VGA
- HDMI and VGA simultaneous output
- Up to 2MP resolution recording
- 1 SATA HDD up to 8 TB
- Support cloud upgrade

### IPC2122LR3-PF40M-D

- Day/night functionality
- Smart IR ,up to 30 m (98 ft) IR distance

- Optical glass window with higher light transmittance
- IR anti-reflection window to increase the infrared transmittance
- 2D/3D DNR (Digital Noise Reduction)
- Triple streams
- IP67

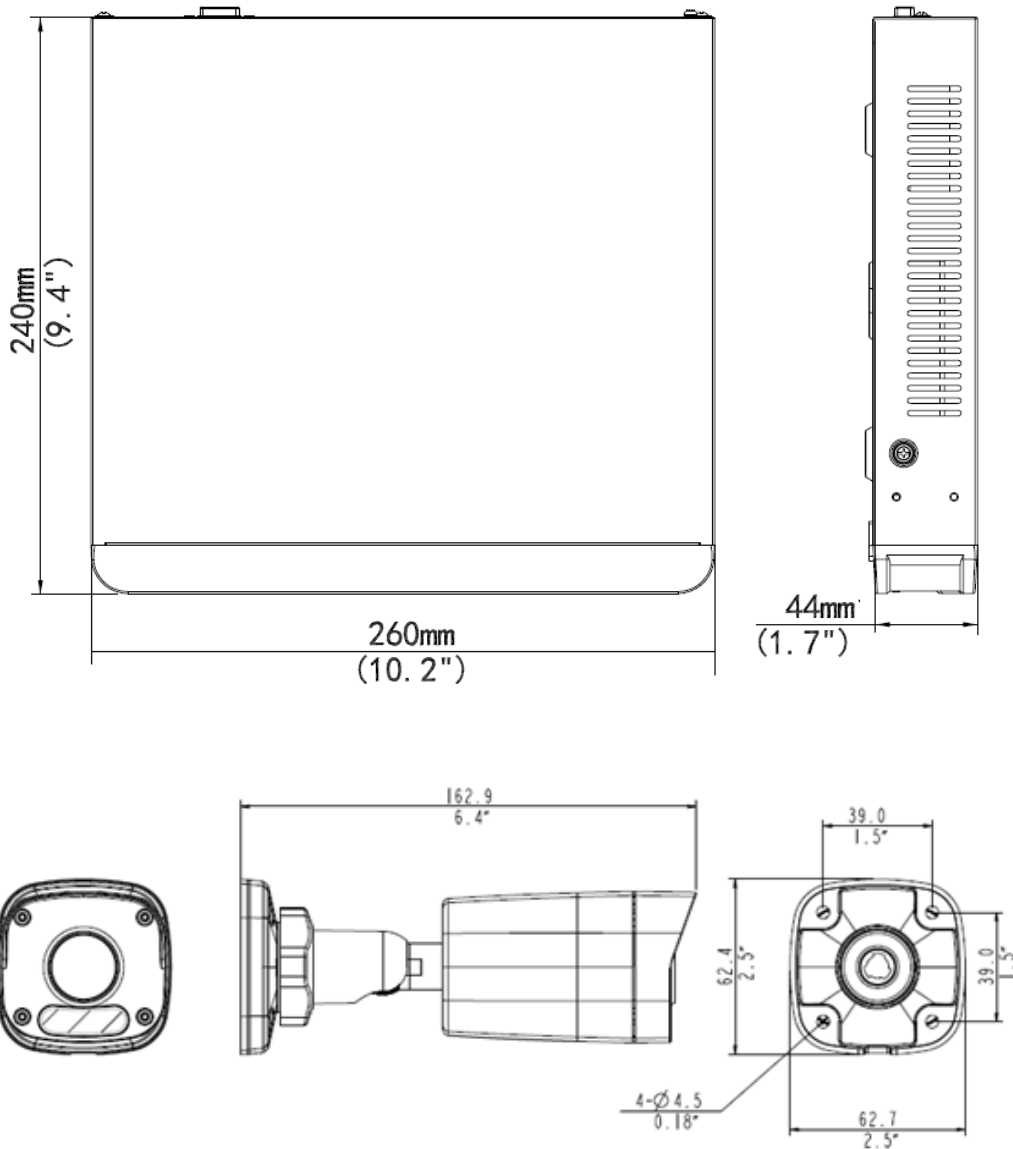
## Specifications

Model	NVR301-04B-P4
<b>Video/Audio Input</b>	
IP Video Input	4-ch
<b>Network</b>	
Incoming Bandwidth	40Mbps
Outgoing Bandwidth	40Mbps
Remote Users	128
Protocols	P2P, UPnP, NTP, DHCP, PPPoE
<b>Video/Audio Output</b>	
HDMI/VGA Output	HDMI: 1920x1080p /60Hz, 1920x1080p /50Hz, 1600x1200 /60Hz, 1280x1024 /60Hz, 1280x720 /60Hz, 1024x768 /60Hz VGA: 1920x1080p /60Hz, 1920x1080p /50Hz, 1600x1200 /60Hz, 1280x1024 /60Hz, 1280x720 /60Hz, 1024x768 /60Hz
Recording Resolution	1080p/960p/720p/D1/2CIF/CIF
Synchronous Playback	4-ch
Corridor Mode Screen	3/4
<b>Decoding</b>	
Decoding format	Ultra 265/H.265/H.264
Liveview/ Playback	1080p/960p/720p/D1/2CIF/CIF
Capability	2 x 1080p@30, 4 x 720p@30
<b>Hard Disk</b>	
SATA	1 SATA interface
Capacity	up to 8TB for each disk
<b>External Interface</b>	
Network Interface	1 RJ45 10M/100M self-adaptive Ethernet Interface
USB Interface	Front panel: 1 x USB2.0 ; Rear panel: 1 x USB2.0
<b>PoE</b>	
Interface	4 independent 100 Mbps PoE network interfaces
Max Power	Max 30W for single port Max 54W in total ( 13.5W for each)

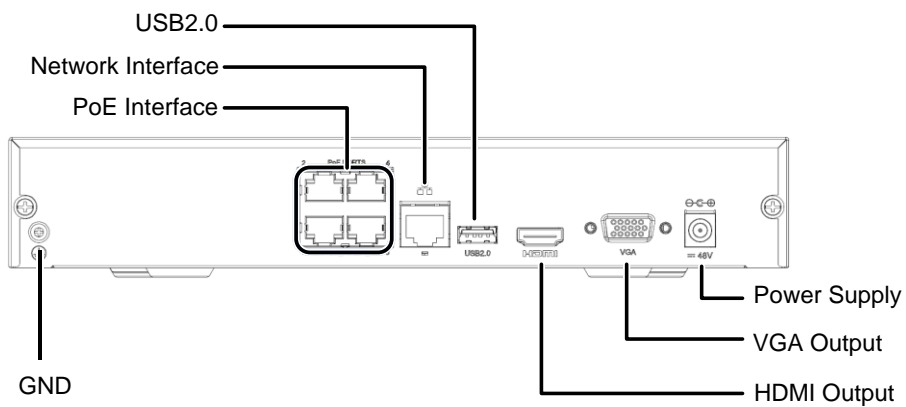
Supported Standard	IEEE 802.3at, IEEE 802.3af
<b>General</b>	
Power Supply	48V DC Power Consumption: ≤5 W( without HDD )
Working Environment	-10°C ~ + 55°C ( +14°F ~ +131°F ), Humidity ≤ 90% RH(non-condensing)
Dimensions(W×D×H)	260mm × 240mm × 44mm(10.2"×9.4"×1.7")
Weight ( without HDD )	0.93kg ( 2.05 lb )
<b>Model</b>	<b>IPC2122LR3-PF40M-D</b>
<b>Camera</b>	
Sensor	1/2.7", 2.0 megapixel, progressive scan, CMOS
Lens	4.0mm@F1.8
Angle of View(H)	86.5°
Shutter	Auto/Manual, 1/6~1/100000 s
Minimum Illumination	Colour: 0.02 Lux (F1.8, AGC ON) 0 Lux with IR on
Digital noise reduction	2D/3D DNR
Day/Night	IR-cut filter with auto switch (ICR)
S/N	>52dB
IR Range	Up to 30m (98 ft) IR range
WDR	DWDR
<b>Video</b>	
Video Compression	Ultra 265,H.265, H.264, MJPEG
H.264 code profile	Baseline profile, Main Profile, High Profile
Frame Rate	Main Stream:2MP (1920×1080): Max. 30 fps; Sub Stream:720P (1280×720): Max. 30 fps; Third Stream: 4CIF (704×576): Max.30 fps
HLC	Supported
BLC	Supported
OSD	Up to 4 OSDs
Privacy Mask	Up to 8 areas
ROI	Up to 2areas

Motion Detection	Up to 4 areas
<b>Network</b>	
Protocols	IPv4, IGMP, ICMP, ARP, TCP, UDP, DHCP, RTP, RTSP, RTCP, DNS, DDNS, NTP, FTP, UPnP, HTTP, HTTPS, SMTP
Compatible Integration	ONVIF(Profile S), API
<b>Interface</b>	
Network	1 RJ45 10M/100M Base-TX Ethernet
<b>General</b>	
Power	12 V DC±25%, PoE (IEEE802.3 af)
	Power consumption: Max 5.5W
Dimensions(L×W×H)	162.9 × 62.4 × 62.7 mm (6.4" × 2.5" × 2.5")
Weight	0.34kg (0.75 lb)
Working Environment	-30°C ~ +60°C (-22°F ~ 140°F), Humidity :10%~95% RH(non-condensing)
Ingress Protection	IP67
Reset Button	Supported
<b>Carton</b>	<b>NVR301-04B-P4*1/ IPC2122LR3-PF40M-D*4</b>
Dimensions(W×D×H)	340mm × 232mm × 361mm (13.4"× 9.13" × 14.21")
Weight	3.7kg (8.16lb)

## Dimensions



## Rear Panel



**Zhejiang Uniview Technologies Co.,Ltd.**

Building No.10, Wanlun Science Park, Jiangling Road 88, Binjiang District, Hangzhou, Zhejiang, China

Email: [overseasbusiness@uniview.com](mailto:overseasbusiness@uniview.com); [globalsupport@uniview.com](mailto:globalsupport@uniview.com)

<http://www.uniview.com>

©2018 Zhejiang Uniview Technologies Co.,Ltd. All rights reserved.

\*Product specifications and availability are subject to change without notice.